

# Air Conditioning

## Product Information

### PLA-RP60BA : Standard Inverter Heat Pump

R410A 4-Way Blow Ceiling Cassette System



Our standard inverter range offers customers all the features and benefits of inverter technology whilst being cost effective.

## FEATURES



### INDOOR

Heating Capacity (kW) (nominal)	6.9 (0.9 - 8)
Cooling Capacity (kW) (nominal)	6.1 (1.1 - 6.3)
Heating Capacity (kW) (UK)	5.8 (0.75 - 6.65)
Cooling Capacity (kW) (UK)	6.05 (1.1 - 6.25)
SHF (nominal and UK)	0.76
COP / EER (nominal)	3.50 / 3.26
SCOP / SEER	3.9 / 5.2
Energy Efficiency Class - Heating / Cooling	A / A
Pipe Size Gas (mm [in])	15.88 (5/8")
Pipe Size Liquid (mm [in])	6.35 (1/4")
Airflow (m <sup>3</sup> /min) Lo-Mi-Mi2-Hi	12 - 14 - 16 - 18
Sound Pressure Level (dBA) Lo-Mi-Mi2-Hi	28 - 29 - 31-32
Sound Power Level (dBA) Cooling	55
Dimensions (mm) Width x Depth x Height	840(950) x 840(950) x 258(35)
Weight (kg) Unit / grille	23 / 6
Electrical Supply	FED BY OUTDOOR UNIT
Phase	SINGLE
Fuse Rating (BS88) - HRC (A)	6
Interconnecting Cable No. Cores	4

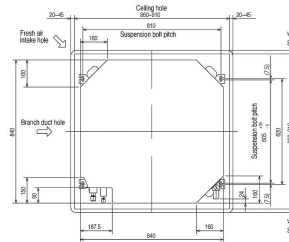
### OUTDOOR

Sound Pressure Level (dBA) Heating / Cooling	55 / 55
Sound Power Level (dBA) Cooling	65
Weight (kg)	50
Dimensions (mm) Width x Depth x Height	840 x 330 x 880
Electrical Supply	220-240V, 50HZ
Phase	SINGLE
System Power Input (kW) - Heating / Cooling (nominal)	1.97 / 1.87
System Power Input (kW) - Heating / Cooling (UK)	1.79 / 1.50
Starting Current (A)	8.57
System Running Current (A) [MAX] - Heating / Cooling	7.59 / 7.82 [14.4]
Fuse Rating (BS88) - HRC (A)	20
Mains Cable No. Cores	3
Max Pipe Length (m)	30
Max Height Difference (m)	30
Charge R410A (kg) - Pre charged length (m)	1.55 - 30

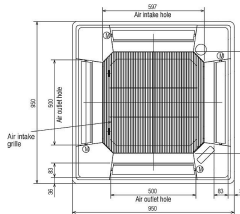
### DIMENSIONS

PLA-RP60BA

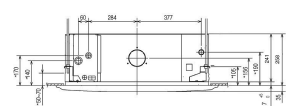
Upper View >



Front View >



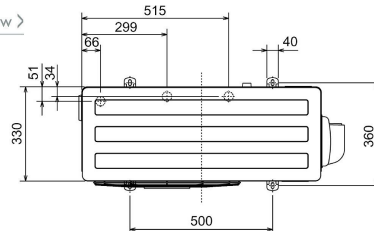
Side View >



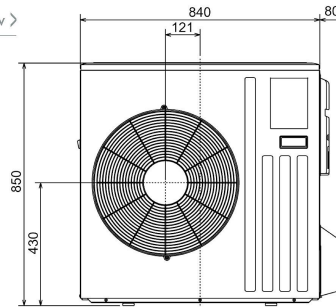
### DIMENSIONS

SUZ-KA60VA3

Upper View >



Front View >



Side View >

